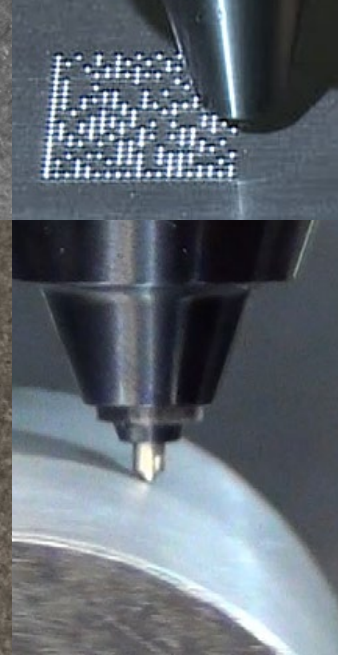


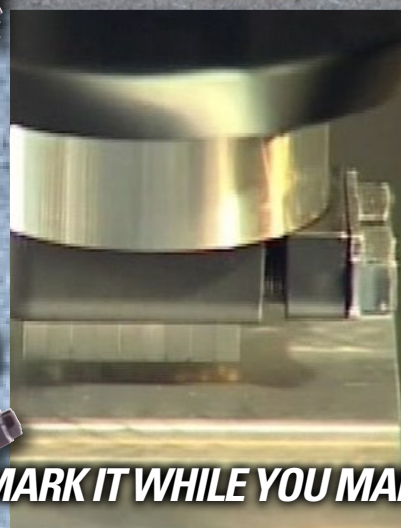
**NOW!!! A COMPLETE PROGRAM FOR IN MACHINE MARKING
DOT PEENING, SCRIBING OR STAMPING**



effectivity tools
INTRODUCING THE NEW...
ScribeWriter® Force II



TAPMATIC

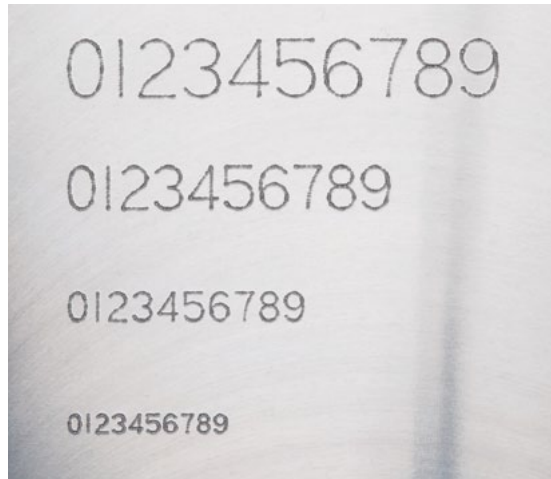


THREE WAYS TO MARK IT WHILE YOU MAKE IT FOR MAXIMUM EFFICIENCY

Dot Peen Marking tool for CNC marking



Here are just a few examples...



Character heights shown from 6 mm to 2 mm, using standard engraving software.



Point to point programming for creating characters with defined dot position or 2D Data Matrix codes.

Tapmatic Is Pleased To Introduce An Exciting New Product.... The TAPMATIC TapWriter.

The TapWriter allows you to mark your work piece while you are machining it without the need for a secondary marking operation. Part numbers, date codes, logos and even decorative patterns and artwork can easily be created with this unique dot marking tool.

It can also be used for controlled, consistent shot peening to improve a parts resistance to fatigue. Using the TapWriter for shot peening allows treating specific areas of a part without the need for masking, and no special cleaning is needed afterwards.

Installs easily on Machining Centers or CNC lathes with Live Tooling.

It utilizes standard engraving software, but unlike engraving, dot-peen marking does not require the use of delicate cutting tools and high speed spindles.

You can mark soft plastics or steel as hard as 55 RC.

The durable carbide stylus is thrown against the work piece which allows the marking of uneven or round surfaces.

The TapWriter is Fast. Up to 80 characters per minute or more just depending on the capabilities of your machine.

Dot peen marking is widely used in the aerospace industry because the cross section of the dot has gentle curves, resulting in no significant stress concentration.

With the TapWriter you have complete control of the mark. The revolutions per minute determines the dots per minute, and the velocity of the carbide stylus when it impacts the work piece. The feed rate controls the distance between dots allowing you to select the appearance of discrete dots or a continuous line.



Mark logos using standard CAD/CAM software for the tool path.

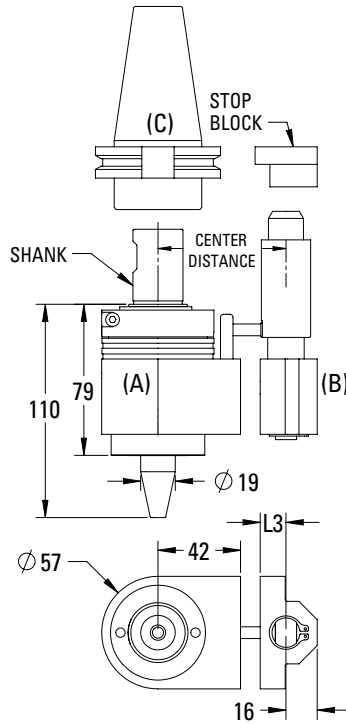
- **Eliminates extra operations**
- **Faster than engraving**
- **Long tool life with replaceable carbide stylus**
- **Mark hard or soft materials**
- **Mark round or uneven surfaces**
- **Simple to install and program**



How to Order

The TapWriter® adapts to machining centers with automatic change, using a locking stop arm, similar to those used with self reversing tapping attachments. Please select the TapWriter® (A), stop arm (B), and CAT, SK, or BT shank (C), to fit your machine. Please order accessories separately.

TapWriter® with Stop Arm Bar and Stop Block Installation



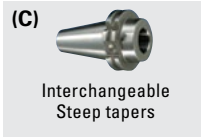
(A) TapWriter® CNC Dot Peen Marking Tool

Model	Order code	Shank	Weight kg
TAPWRITER	57820	20 mm	1.7
	57825	25 mm	
	57810	1"	

(B) Stop Arm Assembly

Center Distance (42+L3)	Order code	L3
55	3925551	13
65	3925651	23
80	3925801	38

Special stylus points or extended lengths are available on request.



ScribeWriter® Force II ⌘ Marking tool for work piece scribing

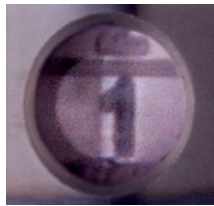


With high pressure internal coolant



Mark It While You Make It.

- Scribing tool for CNC machines.
- For marking of different materials up to 62 HRC hardness, and surface variations up to 5mm.
- Fast marking without spindle rotation.
- Simple programming directly at the machine control or from the programmers work station using engraving software.
- Marking force and resulting depth are adjustable by turning the knurled sleeve.
- Easy to read marking force reference scale with high quality magnification lens from Thorlabs.
- Settings 0-7 for gradually increasing force up to setting H for marking the hardest materials. There is no need to change springs.
- With high pressure internal coolant capability for improved stylus lubrication and increased marking force.
- Simple to change, long life, carbide stylus. A 90° and 60° stylus are available.
- New ball point stylus option. The rolling ball creates very smooth lines, but depth is shallower in comparison to scribing points.



Marking force reference scale.

Turn to increase or decrease marking force.

Easy to exchange long life carbide stylus.

Setting 0-7 for marking all kinds of materials



Setting H for hard materials



Unique flexure technology for higher marking force without the need to change springs.

ScribeWriter® Force II ⇄ Marking tool for work piece scribing



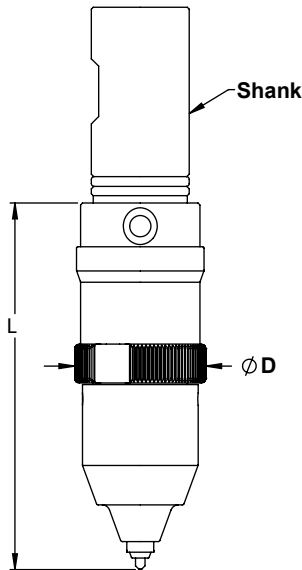
Example in 4140 pre heat treated material with hardness 28 HRC. Marking at different settings with 1.3 mm compression against the surface.



Example created with new ball point stylus in aluminum material.



Example marking a curved surface programmed at constant marking plane. Material is S7 tool steel heat treated to 60 HRC. Setting 'H' with 2mm compression at closest point on surface.



How to Order

Please select the ScribeWriter® with shank to fit your application. Please order CAT, SK, or BT shanks separately. The ScribeWriter® comes with one standard 90° stylus. A 60° stylus is also available.

Order code	Shank	L	Ø D
57601	1"	95	32
57625	25 mm	95	32
57620	20 mm	95	32
57616	16 mm	95	32

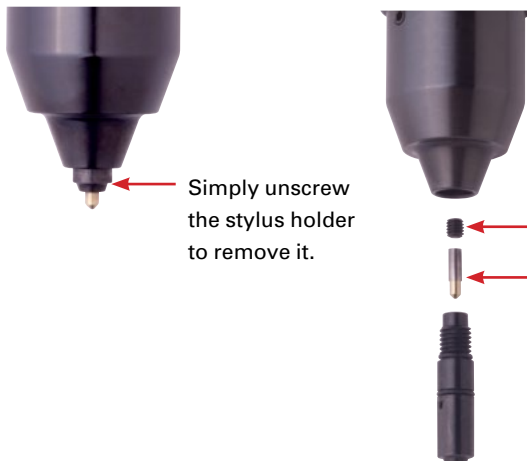
Note: To order the ScribeWriter with 60° stylus, please specify by adding "-60" to the above order codes.
To order the ScribeWriter with a ball point stylus please specify by adding "-B" to the above order codes.

Standard Stylus Options

Order code	Stylus Point
7361608	90°
7361611	60°



Changing the stylus



Simply unscrew the stylus holder to remove it.

Remove the retaining screw.

The stylus can then be removed and changed.

Ball Point Stylus Options

Order code	Description
73602BN4A	Complete ball point assembly
71735C	2mm carbide ball



Interchangeable Steep tapers

CNC Marking Heads for use with standard type or custom stamps

Tapmatic MH Series Marking Heads



Eliminate the need for expensive secondary marking operations. The Marking Head allows you to mark the work piece during the machining process.

Simple to install on Machining Centers, CNC lathes or even manually controlled conventional machines. Compact in size, they fit easily in the tool magazine or turret without interference.

With the Marking Head, no rotation is required. Simply advance the head against the work piece a short distance to charge the internal impact system and rapid feed away.

The impact force and marking depth can be adjusted by turning the knurled sleeve.

The Marking Heads shock absorption system cushions any recoil effect on the machine spindle or turret.

With the Marking Head you can hold standard type or custom made stamps. Mark part numbers, date codes, batch codes, logos or other information.

The marking location and depth are accurate and consistent.

Characters and stamps are securely held and can be changed quickly.

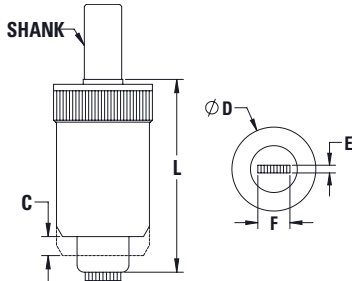
The Marking Head is fast. Stamping the work piece takes less than one second.



CNC Marking Heads for use with standard type or custom stamps

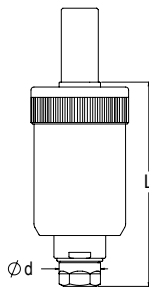
How to Order

Please select the Marking Head with the shank to fit your application. Please order accessories like standard type or custom stamps separately. Please note the Marking Head accepts standard type directly or you can use one of the separate Type Holders for quick replacement of characters and fast change over.



MH Marking Heads with Type Holder

Model	Order code	Shank	E	F	D	L	Stroke C	Weight kg
MH 1/2	575020TH	20 mm	6.4	24.5	62	128	12	1.6
	575025TH	25 mm						
	575075TH	3/4"						
	575010TH	1"						
	575003TH	No.3 Morse						
MH 3/4	577525TH	25mm	6.4	40	86	172	18	3.4
	577510TH	1"						

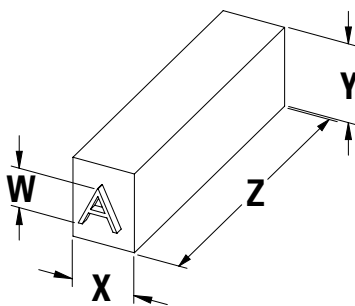


MH Marking Heads with ER Collet Holder

Model	Order code	Shank	Collets	D	d	L	Stroke C	Weight kg
MH 1/2	57502016	20 mm	ER16	62	28	138	12	1.6
	57502516	25 mm						
	57507516	3/4"						
	57501016	1"						
MH 3/4	57752525	25mm	ER25	86	42	190	18	3.4
	57751025	1"						

Note: The impact force of each marking head may be adjusted by turning its knurled sleeve. For softer materials like plastic we also have the ability to deliver a Marking Head with lighter springs. Spring sets for greater force are also available. Please just let us know the details about your specific application for a recommendation.

Standard Type Dimensions

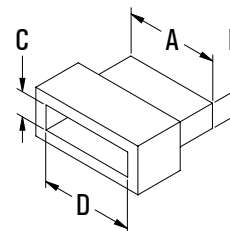


W	X	Y	Z	Order code 26 Letters	Order code 10 Numbers	Order code Blank Spacer
1	1.6	6.4	22.2	5707111006	5707101000	5707014002
1.5	1.6	6.4	22.2	5707112009	5707102003	5707014002
2	2	6.4	22.2	5707113001	5707103006	5707015005
2.5	2.4	6.4	22.2	5707114004	5707104009	5707016008
3	3.2	6.4	22.2	5707115007	5707105001	5707017000
4	4	6.4	22.2	5707120001	5707118008	5707021008
5	4.8	6.4	22.2	5707117002	5707106004	5707018003
6	6.5	9.5	19	5707950 *	5707951 *	5707952 *

Note: To order individual letters or numbers please use the set order code shown above followed by the desired character.
 FOR EXAMPLE: "5707111006D" for the letter D character with height of 1mm.
 * Only for use with type holder 5775THILG

Type Holders for fast change over

Model	Order code	A	B	C	D
MH 1/2	5750THI	24	6.35	6.4	24
MH 3/4	5775THI	40	6.35	6.4	40
MH 3/4	5775THILG	40	6.35	9.6	40



Custom Stamps Available on Request

Note: Tapmatic can also supply custom stamps to fit the Marking Heads. Please let us know the details of your application and we will be pleased to provide a proposal drawing and quote.