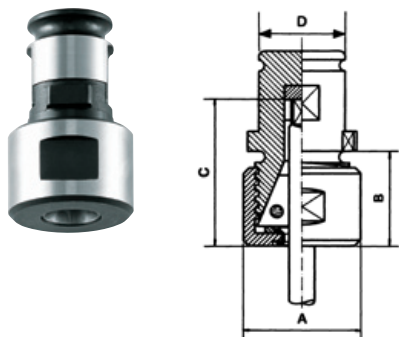


## Quick-change collet chuck adapters for rubber flex collets (RF)



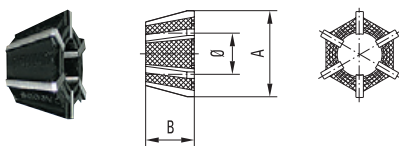
Tap holders with various or adjustable back jaws for quick change tap chucks TA and NC. Only 2 multi-range collets (RF) per type necessary to cover capacity.

### Delivery

Accessories include wrench and necessary square drives for the specified capacity. Please note that rubber flex collets are also included

Model	Order code	Tap size	Collets Rubber Flex Included	Dimensions			
				A mm	B mm	C mm	D mm
TF0	29350	M1.4–M7	21600	18.6	18.6	21.0	13
			21700				
TF1	29351	M3–M12	22100	27.4	18.6	27.0	19
			22200				
TF2	29352	M5–M18	24100	37.2	24.6	38.1	31
			24500				
TF3	29353	M10–M30	26100	54.0	31.8	50.5	48
			26200				

## Rubber Flex multi-range collets



Rubber Flex collets for TAPMATIC tapping attachments and chucks.

Model capacity	Order code	Capacity mm	Type	Model capacity	Order code	Capacity mm	Type
M1.4 - M7 #0 - 1/4"	21500	1.0–2.5	Extra	M5 - M18 #10 - 3/4"	24000	7.0–13.0	Extra
	21600	2.5–4.5	Standard		24100	4.5–10.0	Standard
	21700	4.5–6.5	Standard		24300	2.8–7.0	Extra
M3 - M12 #6 - 1/2"	22000	4.5–8.0	Extra	24500	10.0–15.0	Standard	
	22100	3.5–6.5	Standard				
	22200	6.5–10.0	Standard	M10 - M30 1/2" - 1 1/8"	26100	10.0–16.0	Standard
	22300	2.0–4.5	Extra				

## XB collets



For TAPMATIC miniature tapping attachment model 100XB.

Model	Order code	Capacity mm	Type	Model	Order code	Capacity mm	Type
117XB1	20100	0.9–1.0	DIN 376	117XB5	20500	2.0–2.2	DIN 376
117XB2	20200	1.1–1.25	ISO	117XB6	20600	2.3–2.5	DIN 371
117XB3	20300	1.4–1.55		117XB7	20700	2.8–3.0	ISO
117XB4	20400	1.6–1.8		117XB8	20800	3.3–3.6	

All dimensions are shown in mm. 25.4mm = 1"